

## Ricevitori GPS disponibili

LapTronic LP700.....	1
A-Tronic AP700.....	2
A2-Tronic AP701.....	3
B-Tronic BW700.....	3
B2-Tronic BW701.....	4
DesmoTronic DE700.....	5
HondaTronic HO700.....	6
HRC-Tronic HO701.....	7
HondaTronic24 HO702.....	7
HondaTronic600 HO703.....	8
P-Tronic PA700.....	9
P2-Tronic PA701.....	10
YamaTronic YA700.....	11

## LapTronic LP700

- I have a Yamaha R1 2015/24, does it work with a YEC/GYTR wiring too?

*Yes, the LapTronic works with YEC/GYTR wiring.*

- I have a Yamaha R6 2017/24, does it work with a YEC/GYTR wiring too?

*Yes, the LapTronic works with YEC/GYTR wiring.*

- In the application table two of the connections have the same colour, is that correct?

*Yes, in most cases two LapTronic wires must be connected to the same wire on the motorbike, it is possible to connect the two LapTronic wires together to make a single connection to the motorbike.*

- Can I place the GPS receiver on the tail?

*Yes, we suggest to place the GPS receiver on the tail just check the tail does not vibrate while riding, vibration causes GPS signal loss.*

- Is it possible to set split times?

*Split times are already set in the receiver but cannot be viewed while driving because the dashboard does not manage them, it is possible to view split times and the ideal time by downloading the data to a PC or mobile.*

- I have a Kawasaki, the stopwatch never works on the track

All Kawasaki models have two buttons to manage the stopwatch, one Start and Stop button, and one for the LAP; the LapTronic is connected to the LAP button for lap time detection, it is necessary to manually start the Chrono at the beginning of each session using the Start/Stop button.

- I have a Yamaha R1 2015/24, the stopwatch never works on the track.

*The Yamaha R1 2015/24 has a special procedure for activating the stopwatch, to be performed at the beginning of each session, it is NOT sufficient to visualise the stopwatch on the display as on other motorbikes.*

*Below the link which explain the procedure for activating the stopwatch on this motorbike:*

<https://www.youtube.com/watch?v=-roZr3wpAfM>

- I have a Yamaha R6 2017/24, the stopwatch never works on the track.

*The Yamaha R6 2017/24 has a special procedure for activating the stopwatch, to be performed at the beginning of each*

session, it is **NOT** sufficient to visualise the stopwatch on the display as on other motorbikes.

Below the link which explain the procedure for activating the stopwatch on this motorbike:

<https://www.youtube.com/watch?v=HfpoxUnG2Uo>

- I have a Yamaha R1 2015/24, can I place the receiver above the original instrumentation?

*No, the instrumentation of the Yamaha R1 2015/24 creates very strong electromagnetic disturbances which interfere with the reception of the satellite signal causing incorrect detection of the position by the receiver resulting in a lack of recognition of the transition to the finish line.*

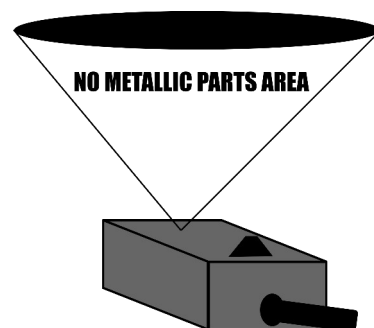
- Can I place the GPS receiver unseen under the fairing (tail or front)?

*No, the receiver cannot be hidden but must be outside the fairing*

- The GPS receiver does not detect every movement towards the finishing line

*Position of the GPS receiver is very important to have good satellite signal reception, essential for the correct functioning of the product; here are some necessary precautions:*

- *Position the receiver horizontally with the adhesive facing upwards*
- *Place the receiver on the tail*
- *Do not position cameras near the GPS receiver, cameras work at high frequencies and emit many electromagnetic disturbances which interfere with the satellite signal*
- *Position the GPS receiver in such a way that there are no metallic parts in the range of the satellite signal as they reflect and screen the satellite signal (see the side image). The instrument frame IS NOT an advisable position.*



- My circuit is not in memory, what can I do??

*It is possible to create a track from our RacePro software and load it directly into the GPS receiver in complete autonomy, you can download the specific manual for this procedure from the download page of our website <https://www.pzracing.it/download/>*

## **A-Tronic AP700**

- Can I position the GPS receiver on the tail?

*Yes, we suggest to place the GPS receiver on the tail just check the tail does not vibrate while riding, vibration causes GPS signal loss.*

- Is it possible to set split times?

*Split times are already set in the receiver but cannot be viewed while driving because the dashboard does not manage them, it is possible to view split times and the ideal time by downloading the data to a PC or mobile.*

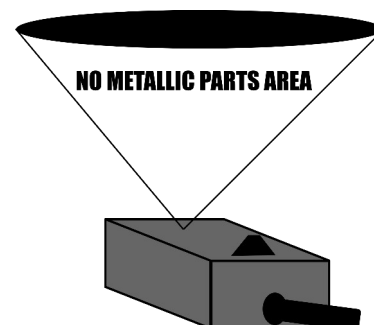
- Can I place the GPS receiver unseen under the fairing (tail or front)?

*No, the receiver cannot be hidden but must be outside the fairing*

- The GPS receiver does not detect every movement towards the finishing line

*Position of the GPS receiver is very important to have good satellite signal reception, essential for the correct functioning of the product; here are some necessary precautions:*

- *Position the receiver horizontally with the adhesive facing upwards*
- *Place the receiver on the tail*



- Do not position cameras near the GPS receiver, cameras work at high frequencies and emit many electromagnetic disturbances which interfere with the satellite signal
- Position the GPS receiver in such a way that there are no metallic parts in the range of the satellite signal as they reflect and screen the satellite signal (see the side image). The instrument frame IS NOT an advisable position.

- My circuit is not in memory, what can I do?

It is possible to create a track from our RacePro software and load it directly into the GPS receiver in complete autonomy, you can download the specific manual for this procedure from the download page of our website <https://www.pzracing.it/download/>

## **A2-Tronic AP701**

- Where is located the connector on my Aprilia?

The connector on these bikes is not located in a visible position; it is located behind the front fairing, under the dashboard

- Can I position the GPS receiver on the tail?

Yes, we suggest to place the GPS receiver on the tail just check the tail does not vibrate while riding, vibration causes GPS signal loss.

- Is it possible to set split times?

Split times are already set in the receiver but cannot be viewed while driving because the dashboard does not manage them, it is possible to view split times and the ideal time by downloading the data to a PC or mobile.

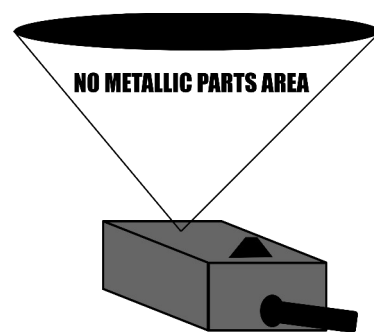
- Can I place the GPS receiver unseen under the fairing (tail or front)?

No, the receiver cannot be hidden but must be outside the fairing

- The GPS receiver does not detect every movement towards the finishing line

Position of the GPS receiver is very important to have good satellite signal reception, essential for the correct functioning of the product; here are some necessary precautions:

- Position the receiver horizontally with the adhesive facing upwards
- Place the receiver on the tail
- Do not position cameras near the GPS receiver, cameras work at high frequencies and emit many electromagnetic disturbances which interfere with the satellite signal
- Position the GPS receiver in such a way that there are no metallic parts in the range of the satellite signal as they reflect and screen the satellite signal (see the side image). The instrument frame IS NOT an advisable position.



- My circuit is not in memory, what can I do??

It is possible to create a track from our RacePro software and load it directly into the GPS receiver in complete autonomy, you can download the specific manual for this procedure from the download page of our website <https://www.pzracing.it/download/>

## **B-Tronic BW700**

- I have a S1000RR 2015/18, the lap times are never detected

Check in the motorbike menu that the LAP TRIGGER is set to AUTO or EXTERNAL; check the motorbike manual to see how to change this setting.

- Is it possible to set split times?

*Split times are already set in the receiver but cannot be viewed while driving because the dashboard does not manage them, it is possible to view split times and the ideal time by downloading the data to a PC or mobile.*

- Can I place the GPS receiver unseen under the fairing (tail or front)?

*No, the receiver cannot be hidden but must be outside the fairing*

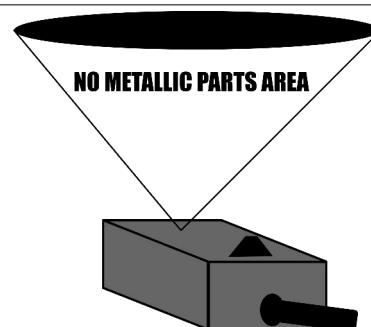
- The GPS receiver does not detect every movement towards the finishing line

*Position of the GPS receiver is very important to have good satellite signal reception, essential for the correct functioning of the product; here are some necessary precautions:*

- *Position the receiver horizontally with the adhesive facing upwards*
- *Placing the receiver on the steering plate requires the creation of a bracket to position it horizontally. The steering plate is inclined towards the rider consequently the receiver would lose a good part of its upward visibility, see picture below for a correct installation*



- *Do not position cameras near the GPS receiver, cameras work at high frequencies and emit many electromagnetic disturbances which interfere with the satellite signal*
- *Position the GPS receiver in such a way that there are no metallic parts in the range of the satellite signal as they reflect and screen the satellite signal (see the side image). The instrument frame IS NOT an advisable position.*



- My circuit is not in memory, what can I do??

*It is possible to create a track from our RacePro software and load it directly into the GPS receiver in complete autonomy, you can download the specific manual for this procedure from the download page of our website <https://www.pzracing.it/download/>*

## **B2-Tronic BW701**

- Where is located the connector on my BMW?

*BW701 must be connected to the dashboard connector, it is necessary to remove the front fairing, disconnect the dashboard connector and insert the male/female bridge supplied with the GPS receiver.*

- Can I position the GPS receiver on the tail?

*Yes, we suggest to place the GPS receiver on the tail just check the tail does not vibrate while riding, vibration causes GPS signal loss.*

- Is it possible to set split times?

*Split times are already set in the receiver but cannot be viewed while driving because the dashboard does not manage them, it is possible to view split times and the ideal time by downloading the data to a PC or mobile.*

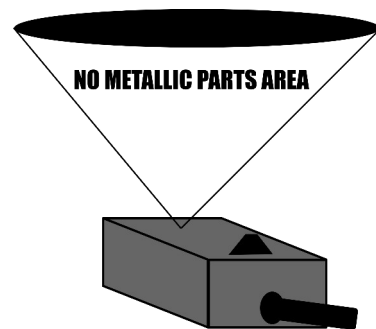
- Can I place the GPS receiver unseen under the fairing (tail or front)?

*No, the receiver cannot be hidden but must be outside the fairing*

- The GPS receiver does not detect every movement towards the finishing line

*Position of the GPS receiver is very important to have good satellite signal reception, essential for the correct functioning of the product; here are some necessary precautions:*

- *Position the receiver horizontally with the adhesive facing upwards*
- *Place the receiver on the tail*
- *Do not position cameras near the GPS receiver, cameras work at high frequencies and emit many electromagnetic disturbances which interfere with the satellite signal*
- *Position the GPS receiver in such a way that there are no metallic parts in the range of the satellite signal as they reflect and screen the satellite signal (see the side image). The instrument frame IS NOT an advisable position.*



- My circuit is not in memory, what can I do??

*It is possible to create a track from our RacePro software and load it directly into the GPS receiver in complete autonomy, you can download the specific manual for this procedure from the download page of our website <https://www.pzracing.it/download/>*

## **DesmoTronic DE700**

- Where is the connector on the Ducati 898, 1098 and 1198 models?

*On these motorbikes, the connector is not in a visible position; in fact it is positioned inside the head tube, in a cavity between the head tube and the tank.*

- I can't see the stopwatch on the display

*On Ducati models it is necessary to set the LAP to ON using the motorbike menu at the beginning of each session. Check the motorbike manual on how to activate the lap time setting on the dashboard.*

- Is it possible to set split times?

*Split times are already set in the receiver but cannot be viewed while driving because the dashboard does not manage them, it is possible to view split times and the ideal time by downloading the data to a PC or mobile.*

- Can I place the GPS receiver unseen under the fairing (tail or front)?

*No, the receiver cannot be hidden but must be outside the fairing*

- The GPS receiver does not detect every movement towards the finishing line

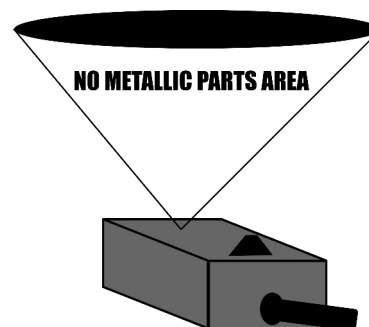
*Position of the GPS receiver is very important to have good satellite signal reception, essential for the correct functioning of the product; here are some necessary precautions:*

- *Position the receiver horizontally with the adhesive facing upwards*
- *Placing the receiver on the steering plate requires the creation of a bracket to position it horizontally. The steering plate is inclined towards the rider consequently the receiver would lose a good part of its upward visibility, see picture below for a correct installation*





- Do not position cameras near the GPS receiver, cameras work at high frequencies and emit many electromagnetic disturbances which interfere with the satellite signal
- Position the GPS receiver in such a way that there are no metallic parts in the range of the satellite signal as they reflect and screen the satellite signal (see the side image). The instrument frame IS NOT an advisable position.



- My circuit is not in memory, what can I do??

It is possible to create a track from our RacePro software and load it directly into the GPS receiver in complete autonomy, you can download the specific manual for this procedure from the download page of our website <https://www.pzracing.it/download/>

## HondaTronic HO700

- Where is located the connector on my Honda?

The connectors on these bikes are located under the seat.

- Can I position the GPS receiver on the tail?

Yes, we suggest to place the GPS receiver on the tail just check the tail does not vibrate while riding, vibration causes GPS signal loss.

- Is it possible to set split times?

Split times are already set in the receiver but cannot be viewed while driving because the dashboard does not manage them, it is possible to view split times and the ideal time by downloading the data to a PC or mobile.

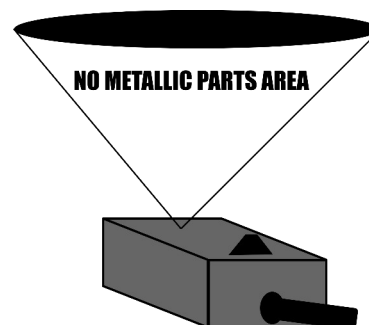
- Can I place the GPS receiver unseen under the fairing (tail or front)?

No, the receiver cannot be hidden but must be outside the fairing

- The GPS receiver does not detect every movement towards the finishing line

Position of the GPS receiver is very important to have good satellite signal reception, essential for the correct functioning of the product; here are some necessary precautions:

- Position the receiver horizontally with the adhesive facing upwards
- Place the receiver on the tail
- Do not position cameras near the GPS receiver, cameras work at high frequencies and emit many electromagnetic disturbances which interfere with



*the satellite signal*

- *Position the GPS receiver in such a way that there are no metallic parts in the range of the satellite signal as they reflect and screen the satellite signal (see the side image). The instrument frame IS NOT an advisable position.*

- My circuit is not in memory, what can I do??

*It is possible to create a track from our RacePro software and load it directly into the GPS receiver in complete autonomy, you can download the specific manual for this procedure from the download page of our website <https://www.pzracing.it/download/>*

## **HRC-Tronic HO701**

- Where is located the connector on my Honda?

*The connector is located on the front of the motorcycle, near the dashboard. It is a black 6-pin connector covered by a cap.*

- Can I position the GPS receiver on the tail?

*Yes, we suggest to place the GPS receiver on the tail just check the tail does not vibrate while riding, vibration causes GPS signal loss.*

- Is it possible to set split times?

*Split times are already set in the receiver but cannot be viewed while driving because the dashboard does not manage them, it is possible to view split times and the ideal time by downloading the data to a PC or mobile.*

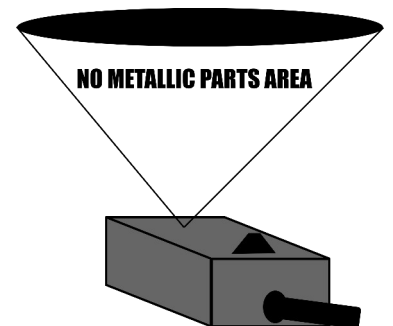
- Can I place the GPS receiver unseen under the fairing (tail or front)?

*No, the receiver cannot be hidden but must be outside the fairing*

- The GPS receiver does not detect every movement towards the finishing line

*Position of the GPS receiver is very important to have good satellite signal reception, essential for the correct functioning of the product; here are some necessary precautions:*

- *Position the receiver horizontally with the adhesive facing upwards*
- *Place the receiver on the tail*
- *Do not position cameras near the GPS receiver, cameras work at high frequencies and emit many electromagnetic disturbances which interfere with the satellite signal*
- *Position the GPS receiver in such a way that there are no metallic parts in the range of the satellite signal as they reflect and screen the satellite signal (see the side image). The instrument frame IS NOT an advisable position.*



- My circuit is not in memory, what can I do??

*It is possible to create a track from our RacePro software and load it directly into the GPS receiver in complete autonomy, you can download the specific manual for this procedure from the download page of our website <https://www.pzracing.it/download/>*

## **HondaTronic24 HO702**

- Where is located the connector on my Honda?

*The connectors on these bikes are located under the seat.*

- Can I position the GPS receiver on the tail?

*Yes, we suggest to place the GPS receiver on the tail just check the tail does not vibrate while riding, vibration causes GPS signal loss.*

- Is it possible to set split times?

*Split times are already set in the receiver but cannot be viewed while driving because the dashboard does not manage them, it is possible to view split times and the ideal time by downloading the data to a PC or mobile.*

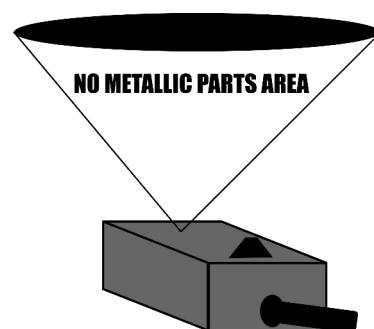
- Can I place the GPS receiver unseen under the fairing (tail or front)?

*No, the receiver cannot be hidden but must be outside the fairing*

- The GPS receiver does not detect every movement towards the finishing line

*Position of the GPS receiver is very important to have good satellite signal reception, essential for the correct functioning of the product; here are some necessary precautions:*

- *Position the receiver horizontally with the adhesive facing upwards*
- *Place the receiver on the tail*
- *Do not position cameras near the GPS receiver, cameras work at high frequencies and emit many electromagnetic disturbances which interfere with the satellite signal*
- *Position the GPS receiver in such a way that there are no metallic parts in the range of the satellite signal as they reflect and screen the satellite signal (see the side image). The instrument frame IS NOT an advisable position.*



- My circuit is not in memory, what can I do??

*It is possible to create a track from our RacePro software and load it directly into the GPS receiver in complete autonomy, you can download the specific manual for this procedure from the download page of our website <https://www.pzracing.it/download/>*

## **HondaTronic600 HO703**

- Where is located the connector on my Honda?

*The connectors on these bikes are located under the seat.*

- Can I position the GPS receiver on the tail?

*Yes, we suggest to place the GPS receiver on the tail just check the tail does not vibrate while riding, vibration causes GPS signal loss.*

- Is it possible to set split times?

*Split times are already set in the receiver but cannot be viewed while driving because the dashboard does not manage them, it is possible to view split times and the ideal time by downloading the data to a PC or mobile.*

- Can I place the GPS receiver unseen under the fairing (tail or front)?

*No, the receiver cannot be hidden but must be outside the fairing*

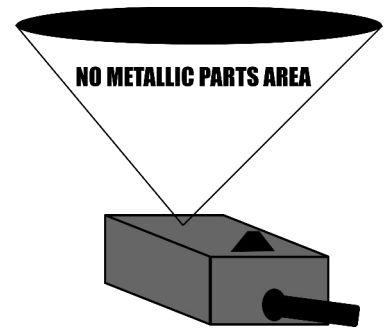
- The GPS receiver does not detect every movement towards the finishing line

*Position of the GPS receiver is very important to have good satellite signal reception, essential for the correct functioning of the product; here are some necessary precautions:*

- *Position the receiver horizontally with the adhesive facing upwards*



- Place the receiver on the tail
- Do not position cameras near the GPS receiver, cameras work at high frequencies and emit many electromagnetic disturbances which interfere with the satellite signal
- Position the GPS receiver in such a way that there are no metallic parts in the range of the satellite signal as they reflect and screen the satellite signal (see the side image). The instrument frame IS NOT an advisable position.



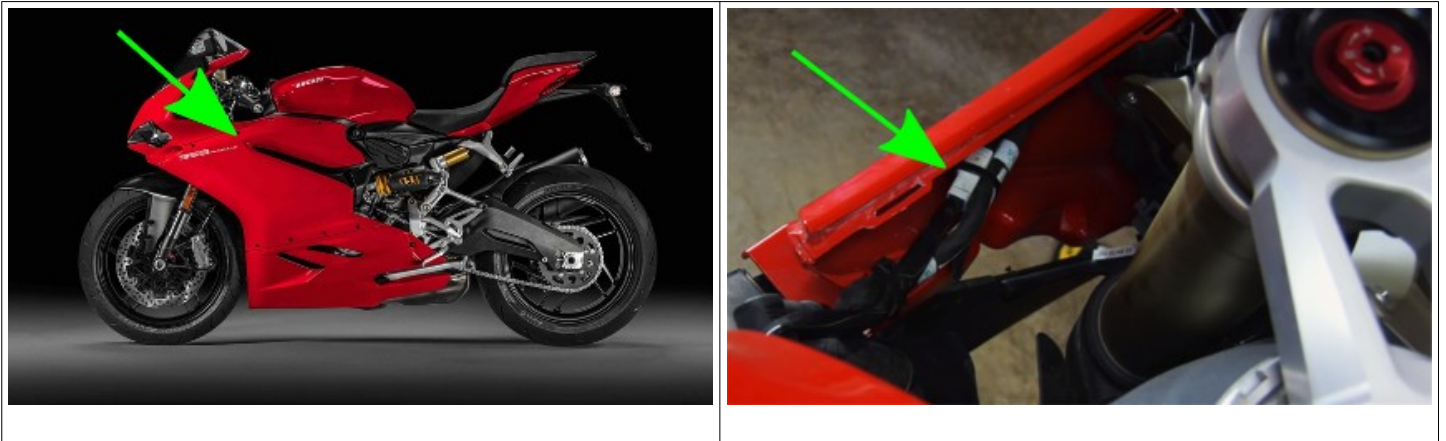
- My circuit is not in memory, what can I do??

It is possible to create a track from our RacePro software and load it directly into the GPS receiver in complete autonomy, you can download the specific manual for this procedure from the download page of our website <https://www.pzracing.it/download/>

## P-Tronic PA700

-Where is the left handle-grip connection on the Ducati Panigale model?

The P-Tronic connects via a male/female connector to the connector on the left handle-switch, which is positioned behind the lateral side of the motorbike. See picture below



- Is it possible to set split times?

Split times are already set in the receiver but cannot be viewed while driving because the dashboard does not manage them, it is possible to view split times and the ideal time by downloading the data to a PC or mobile.

- Can I place the GPS receiver unseen under the fairing (tail or front)?

No, the receiver cannot be hidden but must be outside the fairing

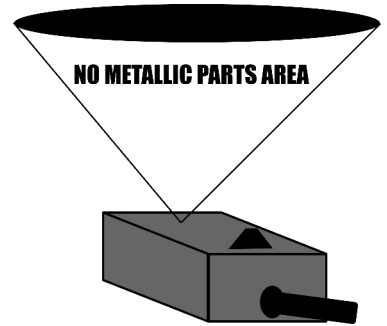
- The GPS receiver does not detect every movement towards the finishing line

Position of the GPS receiver is very important to have good satellite signal reception, essential for the correct functioning of the product; here are some necessary precautions:

- Position the receiver horizontally with the adhesive facing upwards
- Placing the receiver on the steering plate requires the creation of a bracket to position it horizontally. The steering plate is inclined towards the rider consequently the receiver would lose a good part of its upward visibility, see picture below for a correct installation



- Do not position cameras near the GPS receiver, cameras work at high frequencies and emit many electromagnetic disturbances which interfere with the satellite signal
- Position the GPS receiver in such a way that there are no metallic parts in the range of the satellite signal as they reflect and screen the satellite signal (see the side image). The instrument frame IS NOT an advisable position.



- My circuit is not in memory, what can I do??

It is possible to create a track from our RacePro software and load it directly into the GPS receiver in complete autonomy, you can download the specific manual for this procedure from the download page of our website <https://www.pzracing.it/download/>

## P2-Tronic PA701

- Where is located the connector on my Ducati?

PA701 must be connected to the dashboard connector, it is necessary to remove the front fairing, disconnect the dashboard connector and insert the male/female bridge supplied with the GPS receiver.

- Can I position the GPS receiver on the tail?

Yes, we suggest to place the GPS receiver on the tail just check the tail does not vibrate while riding, vibration causes GPS signal loss.

- Is it possible to set split times?

Split times are already set in the receiver but cannot be viewed while driving because the dashboard does not manage them, it is possible to view split times and the ideal time by downloading the data to a PC or mobile.

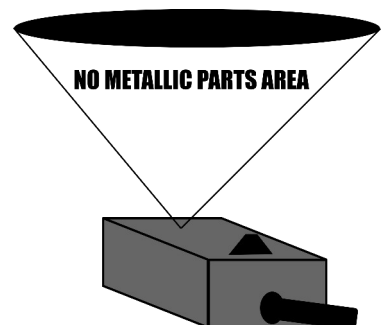
- Can I place the GPS receiver unseen under the fairing (tail or front)?

No, the receiver cannot be hidden but must be outside the fairing

- The GPS receiver does not detect every movement towards the finishing line

Position of the GPS receiver is very important to have good satellite signal reception, essential for the correct functioning of the product; here are some necessary precautions:

- Position the receiver horizontally with the adhesive facing upwards
- Place the receiver on the tail
- Do not position cameras near the GPS receiver, cameras work at high



frequencies and emit many electromagnetic disturbances which interfere with the satellite signal

- Position the GPS receiver in such a way that there are no metallic parts in the range of the satellite signal as they reflect and screen the satellite signal (see the side image). The instrument frame IS NOT an advisable position.

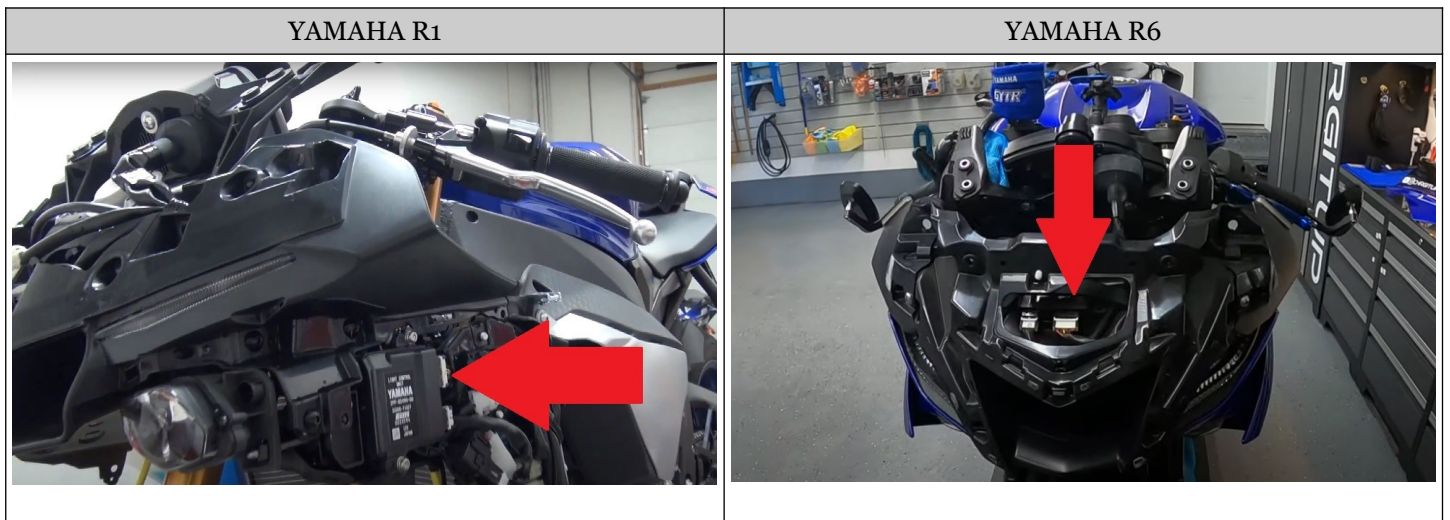
- My circuit is not in memory, what can I do??

It is possible to create a track from our RacePro software and load it directly into the GPS receiver in complete autonomy, you can download the specific manual for this procedure from the download page of our website <https://www.pzracing.it/download/>

## YamaTronic YA700

- Where is located the connector on my Yamaha?

You need to locate the Xenon ECU, which is located on the left side of the bike for the Yamaha R1 and in the front side for the Yamaha R6.



- Can I place the GPS receiver on the tail?

Yes, we suggest to place the GPS receiver on the tail just check the tail does not vibrate while riding, vibration causes GPS signal loss.

- Is it possible to set split times?

Split times are already set in the receiver but cannot be viewed while driving because the dashboard does not manage them, it is possible to view split times and the ideal time by downloading the data to a PC or mobile.

- I have a Yamaha R1 2015/24, the stopwatch never works on the track.

The Yamaha R1 2015/24 has a special procedure for activating the stopwatch, to be performed at the beginning of each session, it is NOT sufficient to visualise the stopwatch on the display as on other motorbikes.

Below the link which explain the procedure for activating the stopwatch on this motorbike:

<https://www.youtube.com/watch?v=-roZr3wpAfM>

- I have a Yamaha R6 2017/24, the stopwatch never works on the track.

The Yamaha R6 2017/24 has a special procedure for activating the stopwatch, to be performed at the beginning of each session, it is NOT sufficient to visualise the stopwatch on the display as on other motorbikes.

Below the link which explain the procedure for activating the stopwatch on this motorbike:

<https://www.youtube.com/watch?v=HfpoxUnG2Uo>

- I have a Yamaha R1 2015/24, can I place the receiver above the original instrumentation?

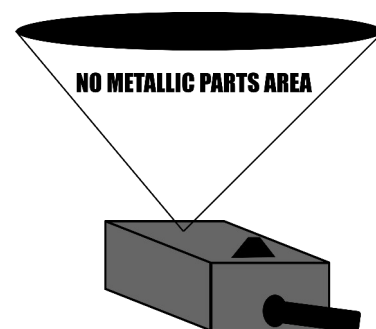
No, the instrumentation of the Yamaha R1 2015/24 creates very strong electromagnetic disturbances which interfere with the reception of the satellite signal causing incorrect detection of the position by the receiver resulting in a lack of recognition of the transition to the finish line.

- Can I place the GPS receiver unseen under the fairing (tail or front)?

*No, the receiver cannot be hidden but must be outside the fairing*

- The GPS receiver does not detect every movement towards the finishing line

*Position of the GPS receiver is very important to have good satellite signal reception, essential for the correct functioning of the product; here are some necessary precautions:*



- *Position the receiver horizontally with the adhesive facing upwards*
- *Place the receiver on the tail*
- *Do not position cameras near the GPS receiver, cameras work at high frequencies and emit many electromagnetic disturbances which interfere with the satellite signal*
- *Position the GPS receiver in such a way that there are no metallic parts in the range of the satellite signal as they reflect and screen the satellite signal (see the side image). The instrument frame IS NOT an advisable position.*

- My circuit is not in memory, what can I do??

*It is possible to create a track from our RacePro software and load it directly into the GPS receiver in complete autonomy, you can download the specific manual for this procedure from the download page of our website <https://www.pzracing.it/download/>*